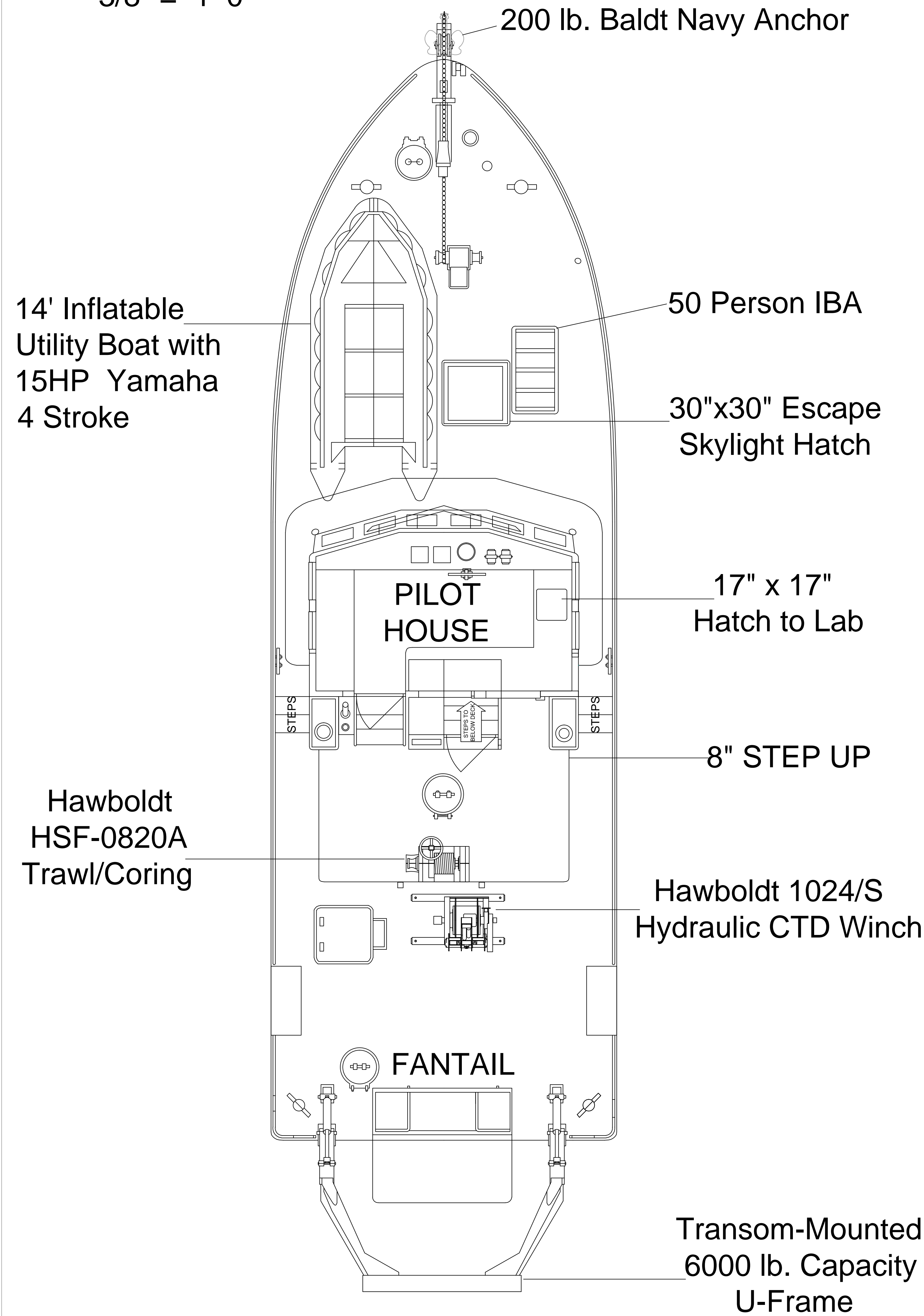


R/V Gulf Challenger Deck Plan Information from UNH School of Marine Science and Ocean Engineering Website Drawing Download:
 - <http://marine.unh.edu/specifications-and-drawings> -
 For further details, contact Captain Bryan Soares. Not issued by UNH.

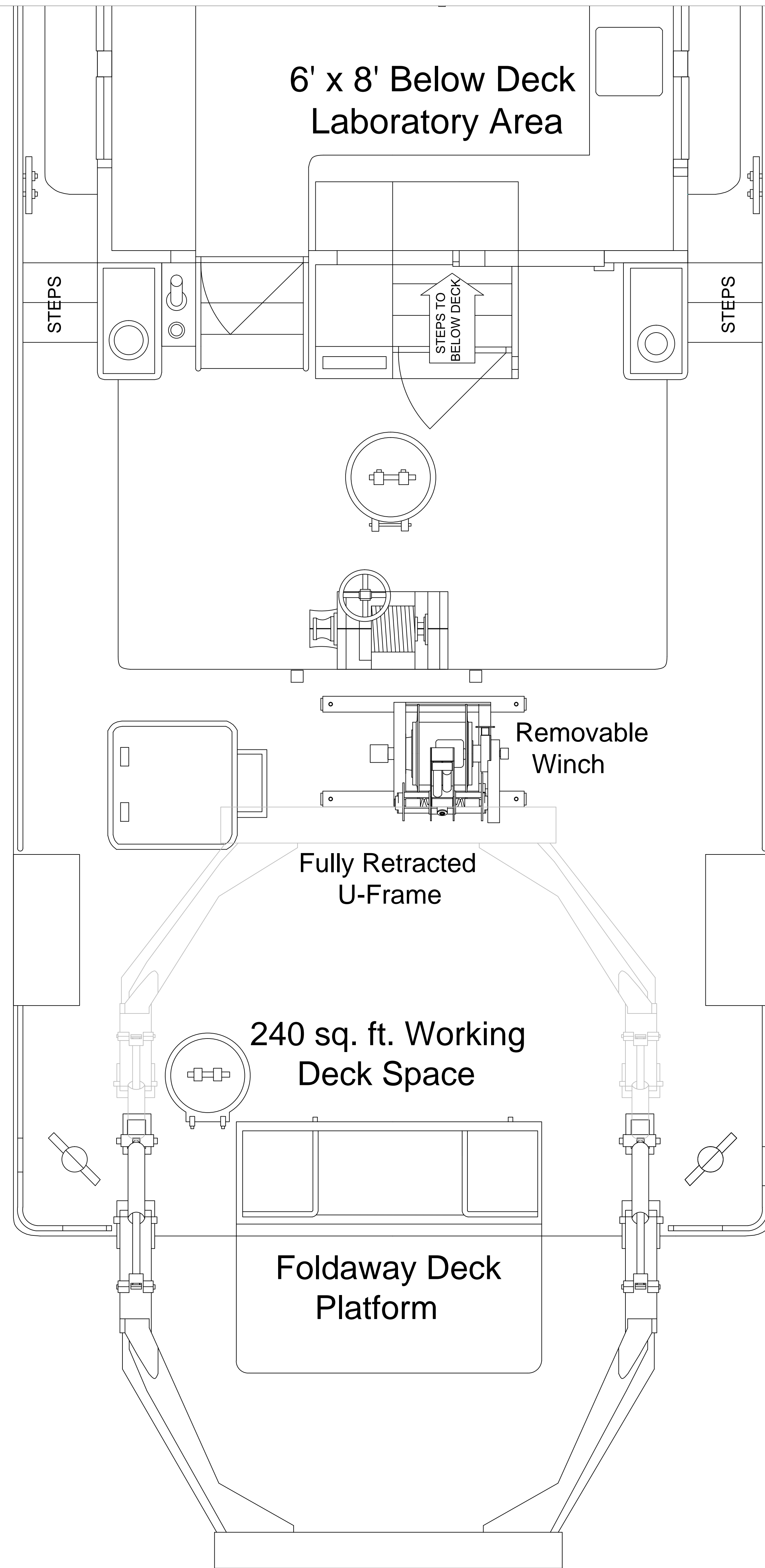


GULF CHALLENGER DECK PLAN UNOFFICIAL				
SCALE FACTOR OF 32 3/8" = 1' - 0" 18" x 24" Arch C Plot Size				
UNIVERSITY OF NEW HAMPSHIRE	SOABR	01/02/16	ISSUE 1	

Arch E - Size Paper
 SCALE FACTOR x 32
 3/8" = 1'-0"

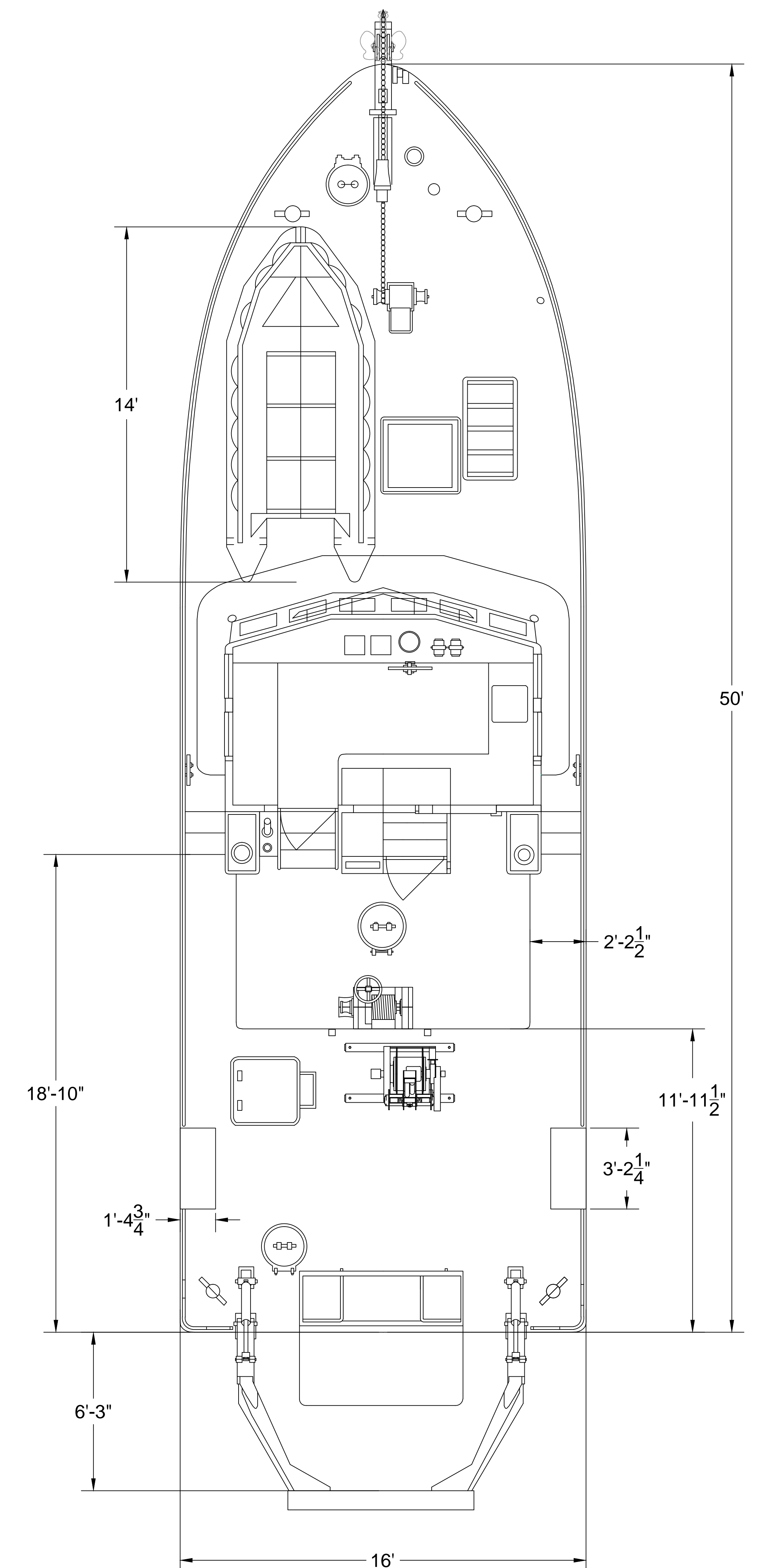


NAVIGATION EQUIPMENT: Raychart 600 Chartview System, MAP Tech Pro
 GPS: Furano GP-37 Differential/WAAS RADAR: Raytheon R41XX and R70
 DEPTH SOUNDER: Raytheon V8010 Video
 RADIOS/COMMUNICATIONS: VHF-FM(2), SSB, Portable VHF-FM(2)
 WEATHER STATION: Airmar PB150, displayed on Furano RD-30, Values measured, Wind speed & direction (true and apparent), barometric pressure, air temp and Attitude (pitch & roll)
 AIS: EM TRAK A 100 Class A Transceiver



Arch E - Size Paper
 SCALE FACTOR x 16
 3/4" = 1' - 0"

Arch E - Size Paper
 SCALE FACTOR x 32
 3/8" = 1'-0"



R/V Gulf Challenger Deck Plans Information from UNH School of Marine Science and Ocean Engineering Website Drawing Download:
 - <http://marine.unh.edu/specifications-and-drawings> - For further details, contact Captain Bryan Soares. Not issued by the University of New Hampshire.



GULF CHALLENGER DECK PLANS UNOFFICIAL
SPECIFICATIONS / WORK SPACE / DIMENSIONS 36" x 48" PLOT
 UNIVERSITY OF NEW HAMPSHIRE SOABR 2/24/16 ISSUE 2